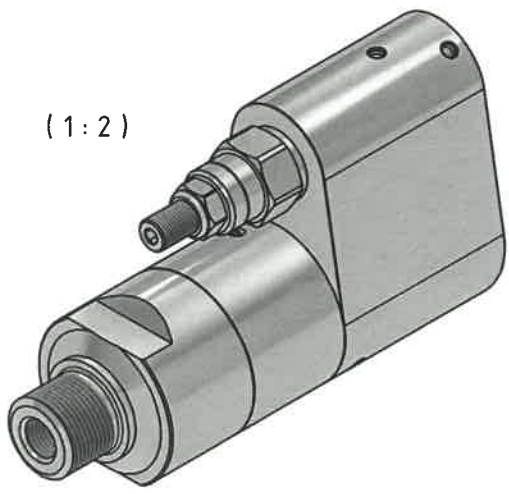


Ordering Code	IN & R	H
HC22W-_-_-B-1	1/4" BSPP	1/4" BSPP

Function Diagram: 0-402-0_



Material		Issue	Material Code No.
Changes		Date	Name
Drawing updated		30-06-2020	L.H.
Drawing updated with 3x M6 thread dimension		11-10-2024	L.H.
			Break all edges
			Hardening depth
			HV
Designer	Leif Hansen	Scale 1:1	<small>Confidential: Property of miniBOOSTER HYDRAULICS A/S Denmark Not to be handed over to, copied or used by third party.</small>
Approved by	<i>Leif Hansen</i>	Format A3	
Date	12-06-2015		
		HC22W-_-_-	
		Hydraulic Booster	
		Assembly Drawing	Drawing No.: 2W-124-02