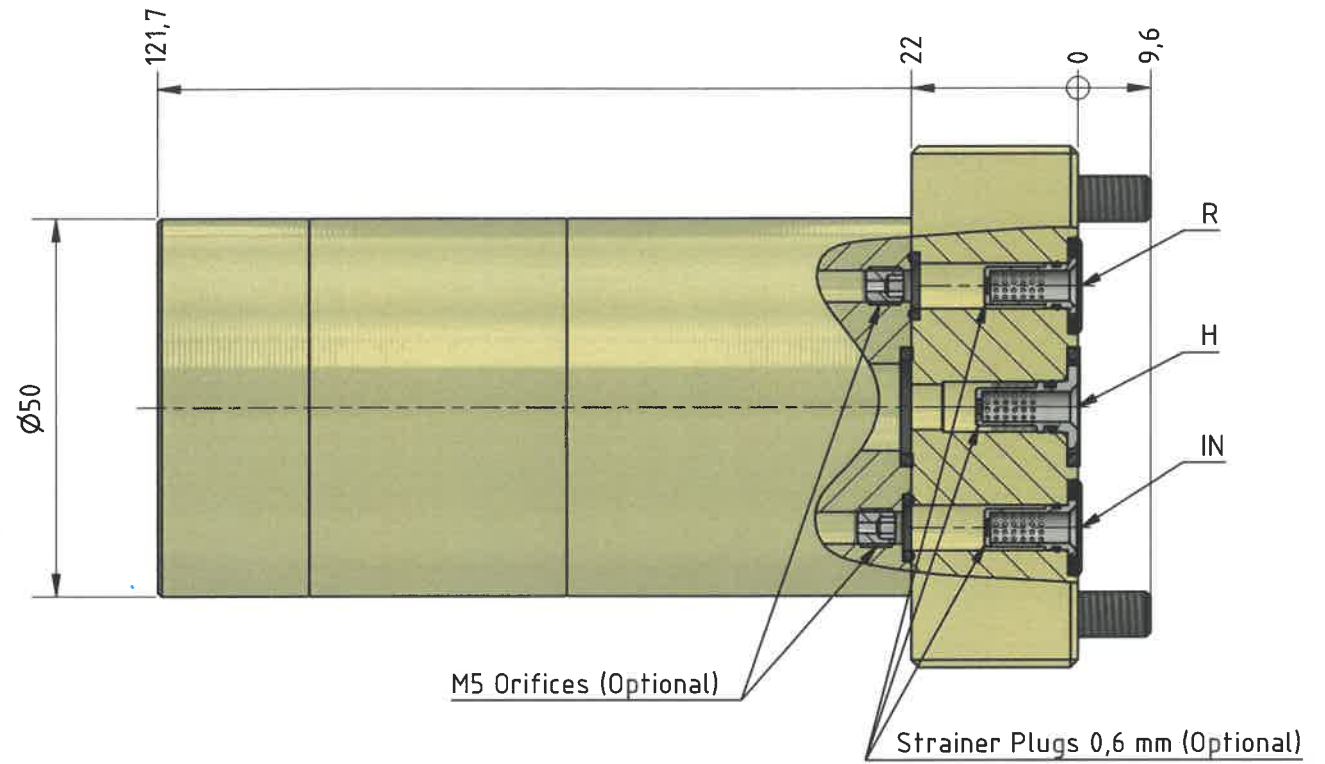
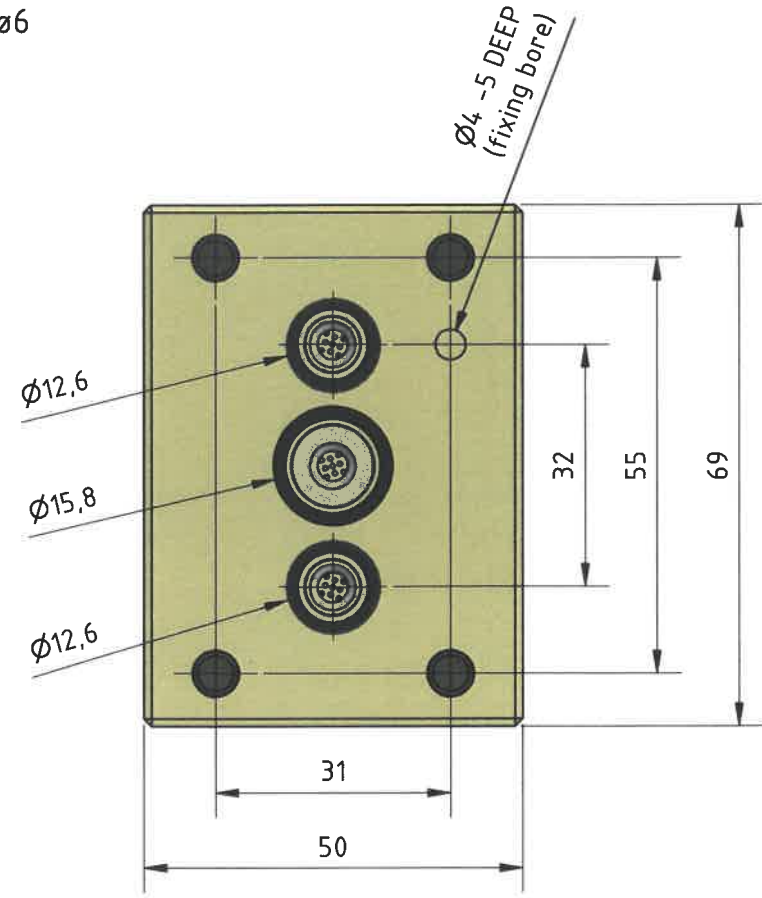
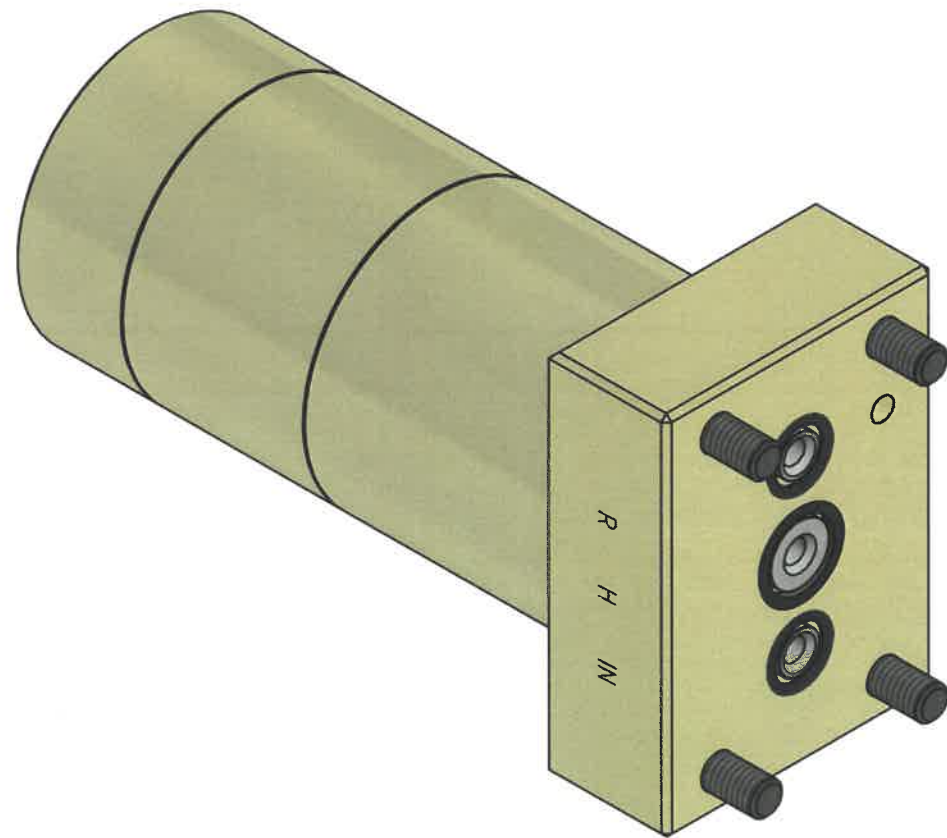


Consumer Connections:

IN, R & H: Max. ø6



Strainer Plug		
Connection Type D	IN & R	H
Ordering Code	FIL-SI-6,0-06	FIL-SI-6,8-0,6



Orifice size	Ordering Code
ø0,5	RT-050-050
ø0,6	RT-050-060
ø0,7	RT-050-070
ø0,8	RT-050-080
ø0,9	RT-050-090
ø1,0	RT-050-100
ø1,1	RT-050-110
ø1,2	RT-050-120
ø1,3	RT-050-130
ø1,4	RT-050-140
ø1,5	RT-050-150
ø1,6	RT-050-160

Orifice Mounting Instructions:
 Recommended torque: 5 Nm / 3.7 lbs×ft.
 Use anti-seize lubricant.

Material		Issue	Material Code No.
Changes Filter Screen renamed to Strainer Plug		Date 14-01-2020	Name L.H.
			Break all edges
			Hardening depth
			HV
Designer	Leif Hansen	Scale 1:1	HC3-...-A/B-D
Approved by	<i>[Signature]</i>	Format A3	Orifices & Strainer Plug Positions
Date	22-10-2018		Assembly Drawing
			<small>Confidential: Property of miniBOOSTER HYDRAULICS A/S Denmark Not to be handed over to, copied or used by third party.</small>
			Drawing No.: 3-915-03