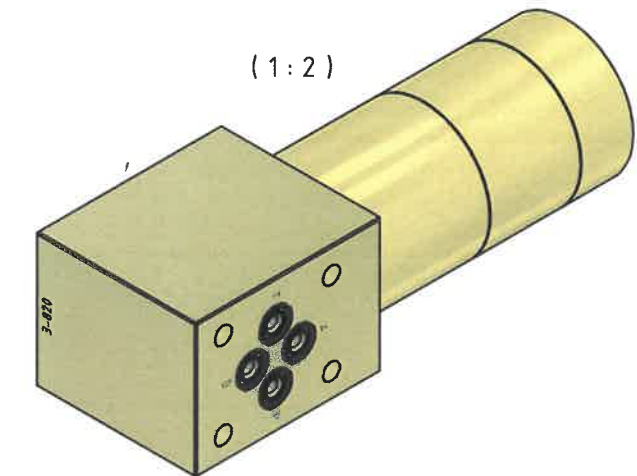
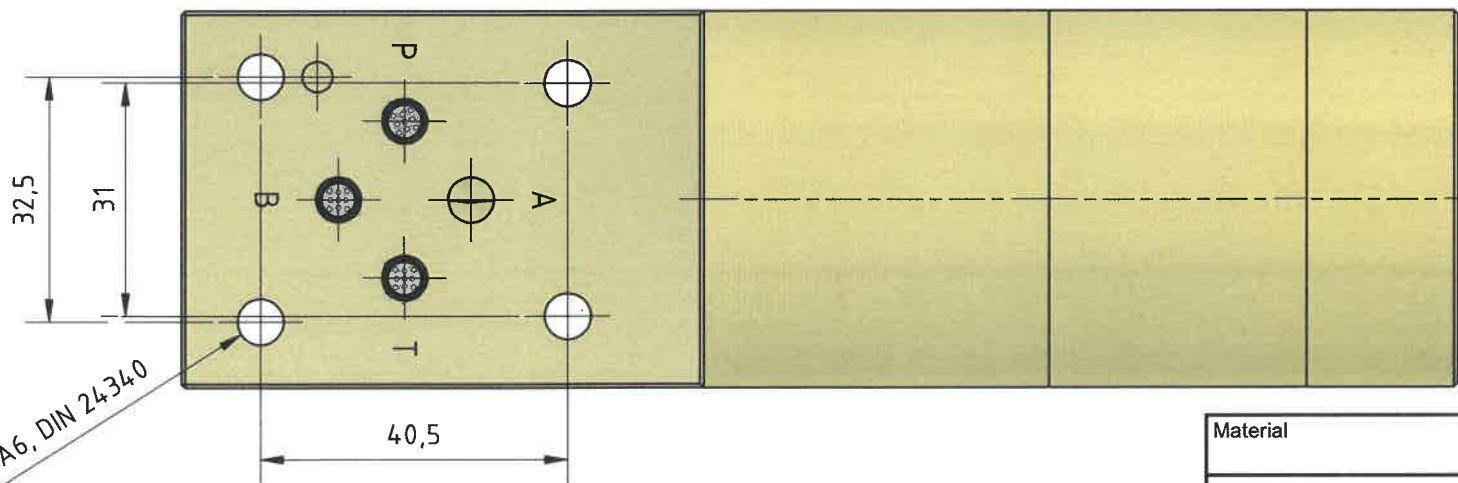
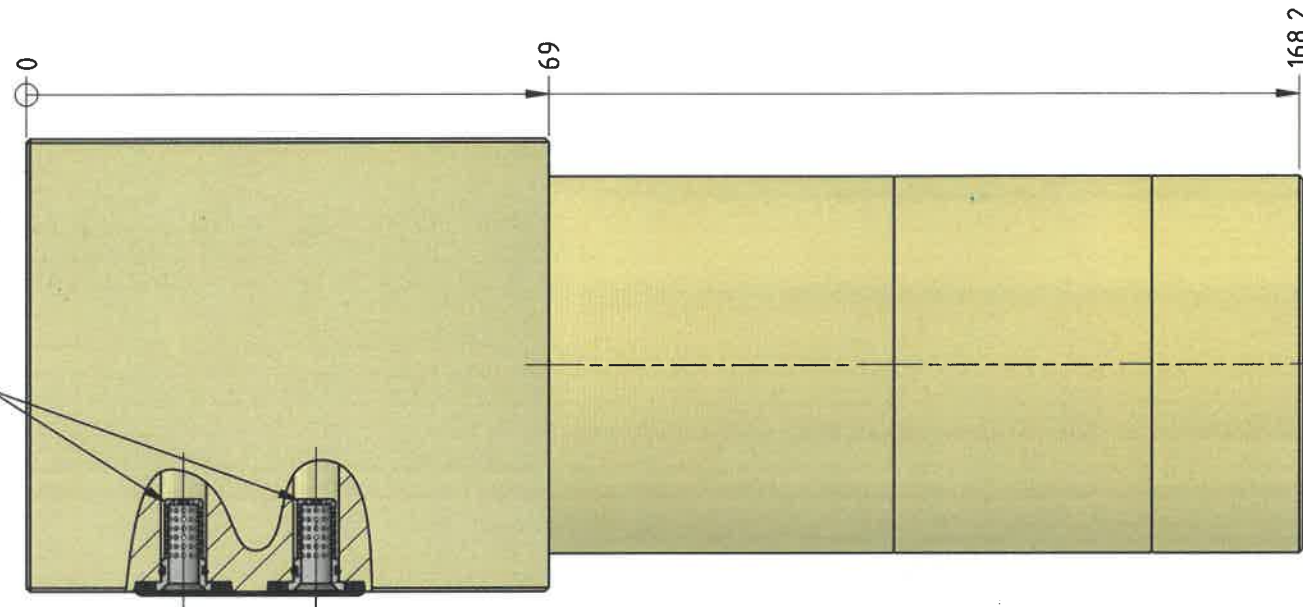


Strainer Plug 0,6 mm (Optional)

Strainer Plug 0,6 mm (Optional)



4x Ø6,1 THRU NG6 acc. to form A6, DIN 24340

Strainer Plug	
Connection Type NG6	A, B, P & T
Ordering Code	FIL-SI-6,0-06

Material		Issue	Material Code No.
Changes Filter Screen renamed to Strainer Plug		Date 13-01-2020	Name L.H.
			Finish Break all edges
			Hardening depth
			HV
Designer	Leif Hansen	Scale 1:1	HC3-...-A/B Strainer Plug Positions
Approved by	<i>[Signature]</i>	Format A3	
Date	23-10-2018		
			<small>Confidential: Property of miniBOOSTER HYDRAULICS A/S Denmark Not to be handed over to, copied or used by third party.</small>
			Drawing No.: 3-914-01