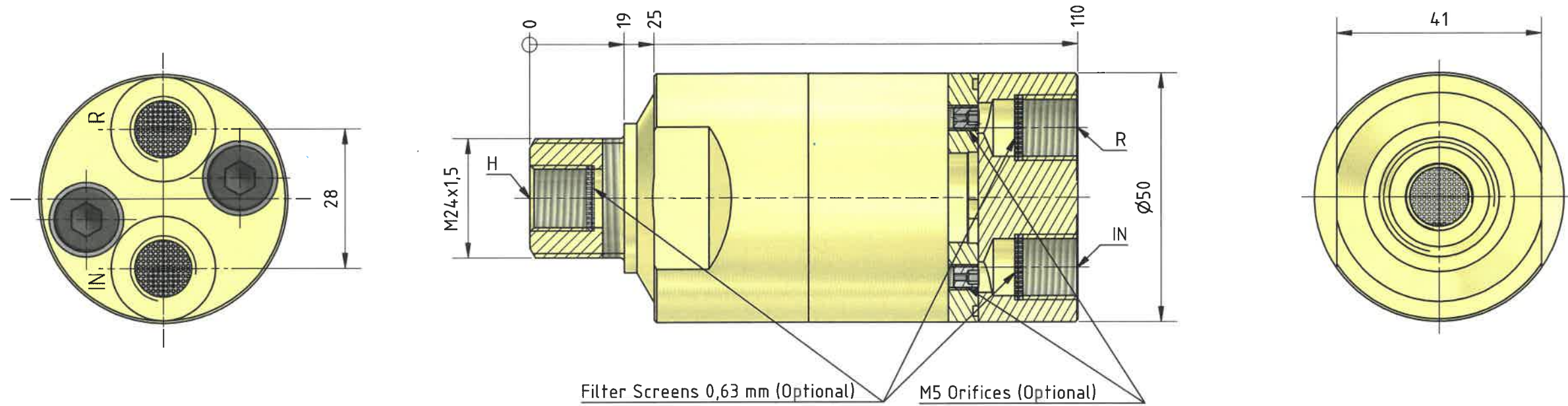


Filter Screen			
Connection Type	IN & R	H	Ordering Code
1	1/4" BSPP	1/4" BSPP	FIL-SI-1/4
2		9/16-18 UNF	FIL-SI-9/16-18
2	7/16-20 UNF		FIL-SI-7/16-20



Orifice size	Ordering Code
Ø0,5	RT-050-050
Ø0,6	RT-050-060
Ø0,7	RT-050-070
Ø0,8	RT-050-080
Ø0,9	RT-050-090
Ø1,0	RT-050-100
Ø1,1	RT-050-110
Ø1,2	RT-050-120
Ø1,3	RT-050-130
Ø1,4	RT-050-140
Ø1,5	RT-050-150
Ø1,6	RT-050-160

Orifice Mounting Instructions:
 Recommended torque: 5 Nm / 3.7 lbs×ft.
 Use anti-seize lubricant.

Material		Issue	Material Code No.
Changes		Date	Name
Table of Orifice size added		21.11.2017	L.H.
Filter Screens added (Optional)		27.02.2018	L.H.
Ordering code for UNF screens added		16.10.2018	L.H.
			Hardening depth
			HV
Designer	Brian Petersen	Scale 1:1	HC2-__-A/B-__
Approved by	<i>[Signature]</i>	Format A3	Orifice & Filter Screens locations
Date	04.05.2016		Assembly Drawing
			<small>Confidential: Property of miniBOOSTER HYDRAULICS A/S Denmark. Not to be handed over to, copied or used by third party.</small>
			Drawing No.: 2-914-03