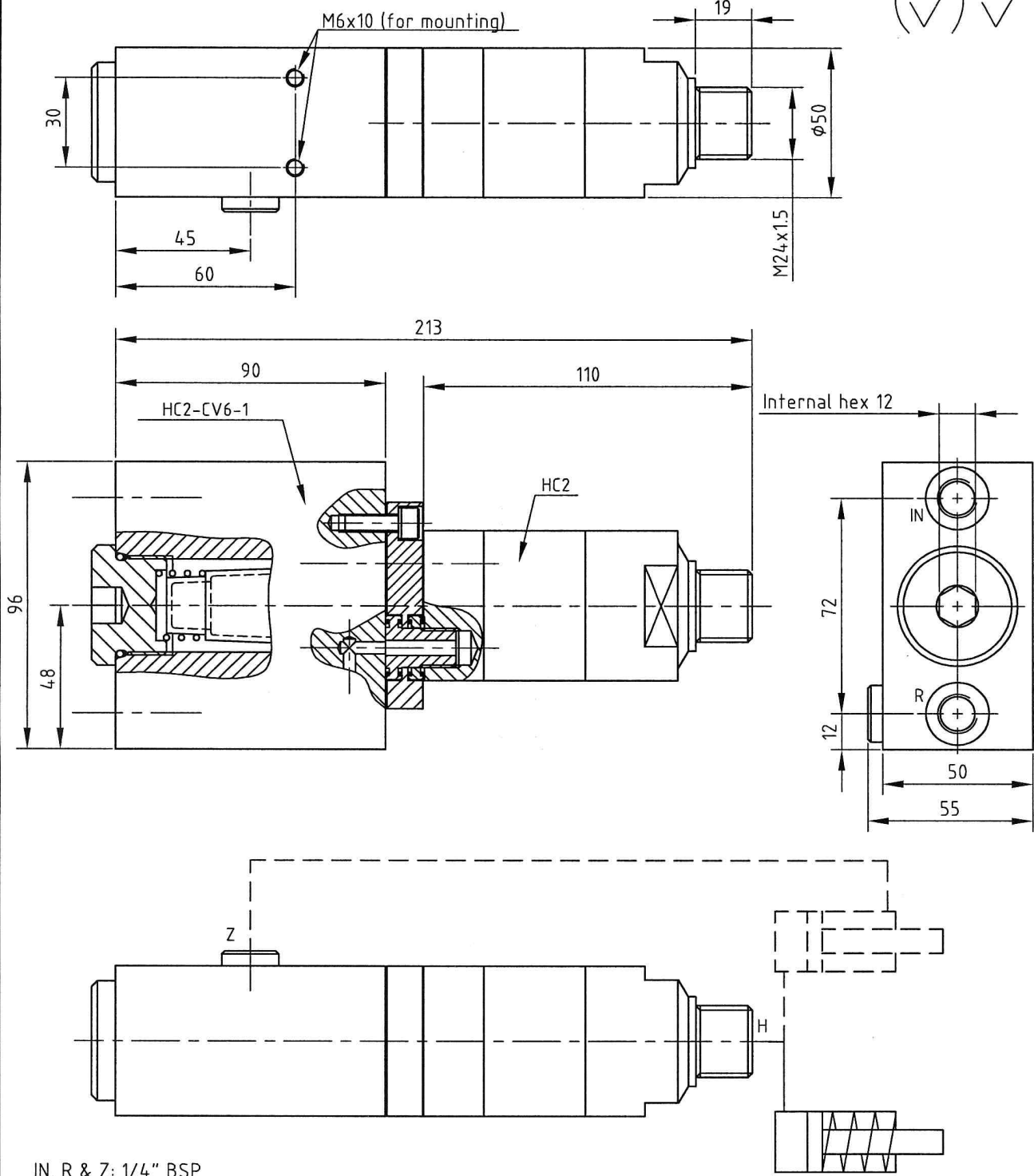



(✓) ✓



IN, R & Z: 1/4" BSP
Function diagram: 0-208

| | | | | | | |
|----------------------|--------------------|------------------|--|--|----------------------|--|
| Antal | Benævnelse | Materiale | Dimension | Issue 1 | Matr. kode nr. | |
| Ændring New issue | | Dato 12.12.07 | Navn L.H. | Udv.mål:-, Indv.mål:+, Afst.:± | Overflade | |
| | | | Måle- omr. | 0-6 6-30 30-100 100-300 300-1000 | Skarpe kanter brydes | |
| | | | To dec. .00 | 0.05 0.10 0.15 0.20 0.30 | Indsætningsdybde | |
| | | | En dec. .0 | 0.10 0.20 0.30 0.50 0.80 | HV | |
| | | | Ingen dec. | 0.30 0.50 0.80 1.20 2.00 | | |
| Replace | | Skala 1:2 | Dimension drawing for assembly HC2 + HC2-CV6-1 | | | Confidential: Property of miniBOOSTER, HYDRAULICS A/S Denmark Not to be handed over to, copied or used by third party.  NO.: 0-311 |
| Konstr. | Leif Hansen | | | | | |
| Konf. | | | | | | |
| Approb. | <i>[Signature]</i> | | | | | |
| Dato | 11.03.02 | | | | | |