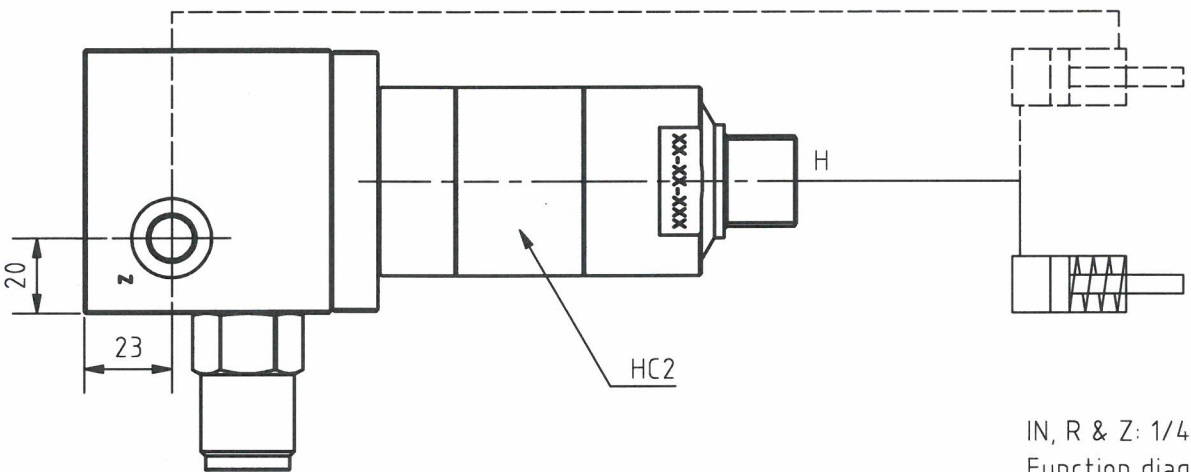
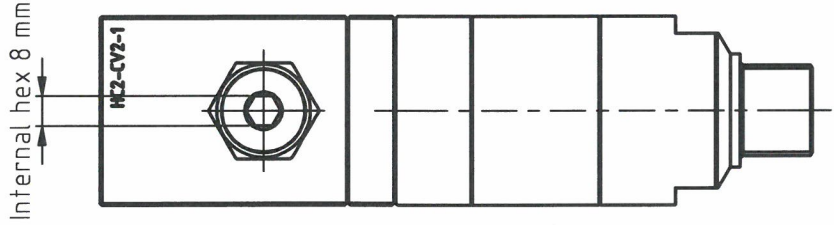
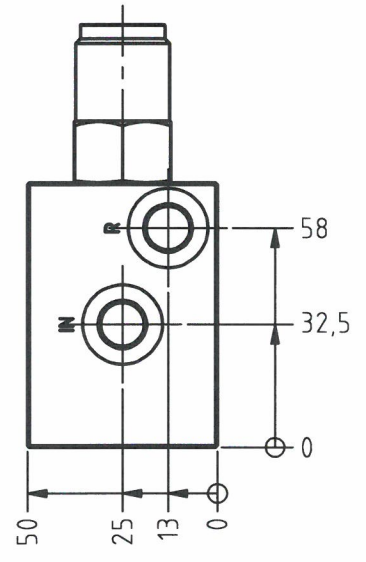
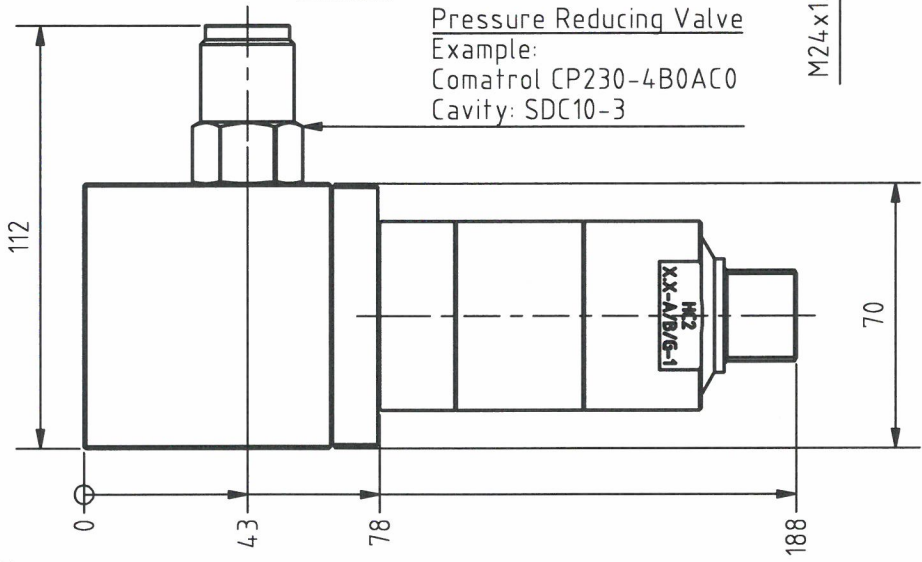


Pressure Reducing Valve
 Example:
 Comafrol CP230-4B0AC0
 Cavity: SDC10-3



IN, R & Z: 1/4" BSP
 Function diagram: 0-204-0_

| | | | | |
|-------------------------------|-----------|----------------|------------------|-----------------------|
| Material | | | Issue | Material Code No. |
| Changes Drawing 3D based | | Date | Name | Finish |
| CP-230-4B0AD0 to CP230-4B0AC0 | | 15.05.13 | B.P. | Break all edges |
| | | 24.09.13 | L.H. | Hardening depth |
| | | | | HV |
| Designer | L. Hansen | Scale 1 : 2 | HC2 + | |
| Approved by | | Format A4 | HC2-CV2-1 + PRV | |
| Date | 20.07.01 | | Assembly Drawing | Drawing No.: 0-309-05 |

Confidential: Property of miniBOOSTER HYDRAULICS A/S Denmark
 Not to be handed over to, copied or used by third party

miniBOOSTER
 HYDRAULICS A/S