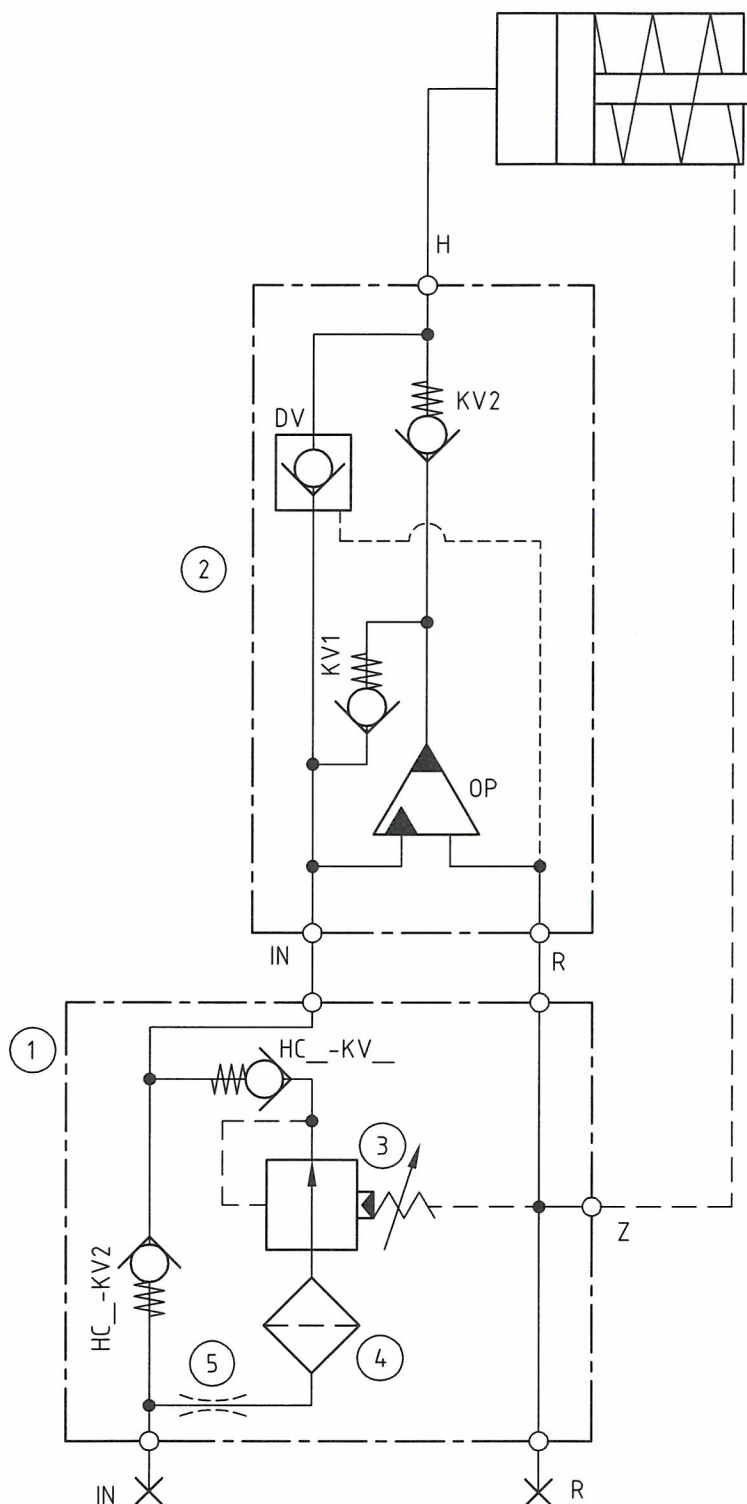


(✓) ✓



- 1: Valve Housing:
HC_-CV4-__ (Max. 200 bar Inlet)
- 2: Hydraulic Intensifier:
HC_-__-B-__
- 3: Pressure reducing Valve:
Example:
CP230-4B0AC0 (Range: 28-207 bar)
Cavity: C10-3
- 4: (Sparepart):
Filter Kit: Fil-KIT-10
- 5: (Option):
Orifices \varnothing __.; __ L/min.

| | | | | | | |
|---------|--------------------|-----------|------------------------------|--------------------------------|----------------------------------|---|
| Anfal | Benævnelse | Materiale | Dimension | | Issue | Matr. kode nr. |
| Ændring | New issue | Dato | 18.01.08 | Navn | L.H. | Overflade |
| | | | | Udv.mål:-, Indv.mål:+, Afst.:± | | |
| | New issue | Dato | 04.02.16 | Navn | L.H. | Skarpe kanter brydes |
| | | | | Måle- omr. | 0-6 6-30 30-100 100-300 300-1000 | Indsætningsdybde |
| | | | | To dec. .00 | 0.05 0.10 0.15 0.20 0.30 | |
| | | | | En dec. .0 | 0.10 0.20 0.30 0.50 0.80 | HV |
| | | | | Ingen dec. | 0.30 0.50 0.80 1.20 2.00 | |
| Replace | | Skala | Funktionsdiagram HC_-CV4-__ | | | Confidential: Property of miniBOOSTER, HYDRAULICS A/S Denmark Not to be handed over to, copied or used by third party. |
| Konstr. | Leif Hansen | | Function Diagram HC_-CV4-__ | | | |
| Konf. | | | Funktionsdiagramm HC_-CV4-__ | | | |
| Approb. | <i>[Signature]</i> | | | | | |
| Dato | 25.02.02 | | | | | |
| | | | | | | NO.: 0-206-05 |