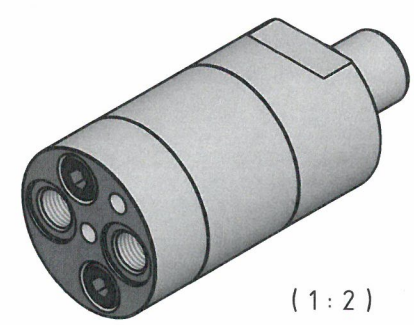


Function Diagram: 2-105-0_
 Cavity Drawing: 2-905-0_



Material		Issue	Material Code No.
Changes Drawing renewed with 3D		Date 24.11.2017	Name L.H.
			Finish
			Break all edges
			Hardening depth
			HV
Designer	Leif Hansen	Scale 1:1	Confidential: Property of miniBOOSTER HYDRAULICS A/S Denmark Not to be handed over to, copied or used by third party
Approved by	<i>Leif Hansen</i>	Format A3	
Date	27.08.2001		
		HC2- _ _ -9	
		Hydraulic Cartridge Booster	
		Assembly Drawing	Drawing No.: 2-108-06